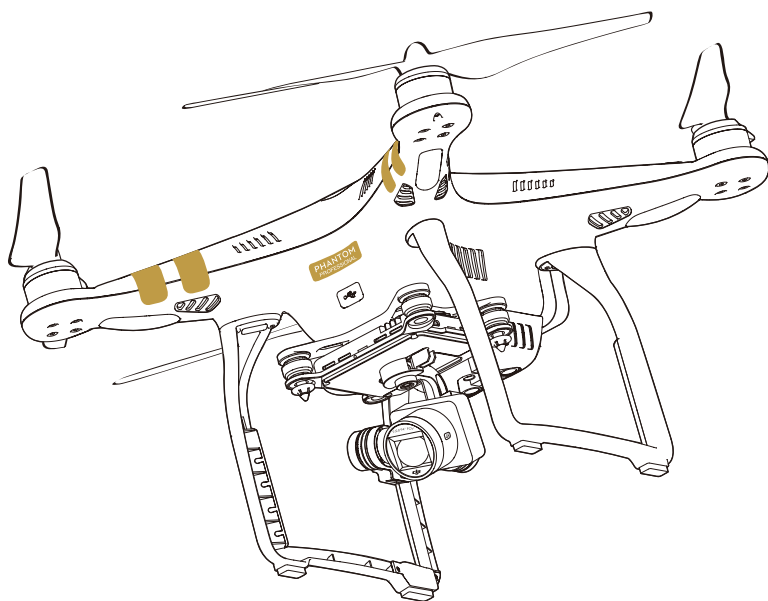


# PHANTOM 3

PROFESSIONAL

## Quick Start Guide

V1.2

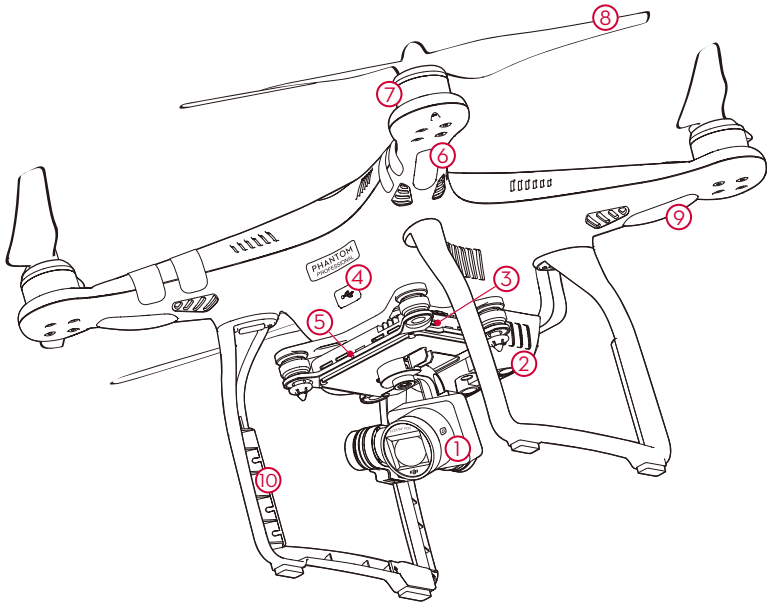


# Phantom 3 Professional

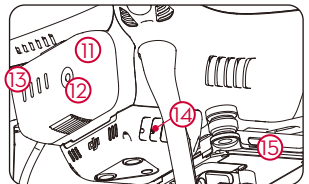
It's time to meet your Phantom 3 Professional.

The Phantom 3 Professional's camera records video at up to 4K and captures 12 megapixel photos.

Review the diagram below for a full list of your Phantom 3 Professional's parts:



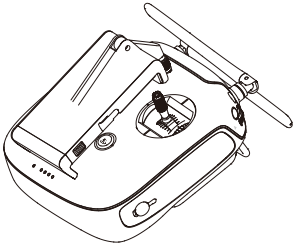
- |                              |                                |
|------------------------------|--------------------------------|
| 1. Gimbal and Camera         | 9. Aircraft Status Indicators  |
| 2. Vision Positioning System | 10. Antennas                   |
| 3. Camera Micro SD Card Slot | 11. Intelligent Flight Battery |
| 4. Aircraft Micro USB Port   | 12. Power Button               |
| 5. Camera Status Indicator   | 13. Battery Level Indicators   |
| 6. Front LEDs                | 14. Link Button                |
| 7. Motors                    | 15. Camera Micro USB Port      |
| 8. Propellers                |                                |



# Remote Controller

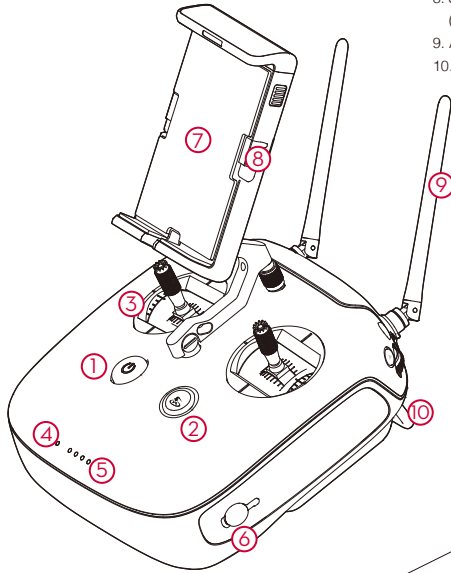
This powerful Remote Controller allows you to pilot and maneuver your Phantom 3 Professional at distances over 16,400 feet (5 km)\* away, while putting selected camera controls at your fingertips.

Built into your Remote Controller is a rechargeable LiPo battery and DJI Lightbridge, which when paired with a compatible mobile device gives you a live HD view from the Phantom's camera.

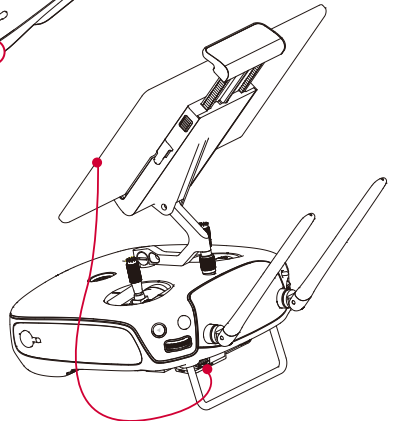
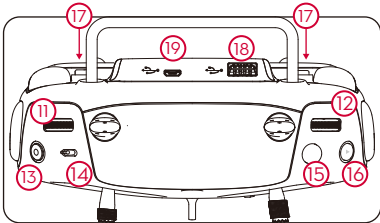


Folded

1. Power Button
2. Return to Home (RTH) Button
3. Control Sticks
4. Status LED
5. Battery Level LEDs
6. Power Port
7. Mobile Device Holder
8. Small Device Positioning Tabs (such as mobile phone)
9. Antennas
10. Handle Bar



11. Gimbal Dial
12. Camera Settings Dial
13. Video Recording Button
14. Flight Mode Switch
15. Shutter Button
16. Playback Button
17. C1/C2 Buttons (Customizable)
18. USB Port
19. Micro USB Port



Mobile device connection

\* This maximum transmission distance was tested in a lab environment and is for reference only. The maximum operating distance may vary depending on conditions in your immediate surroundings.

# Fly Safe

DJI encourages you to enjoy flying your Phantom 3 Professional in a safe, responsible, and smart way. To do this, it is important to understand some basic flight guidelines, both for your protection and for the safety of those around you.

1. **Fly in Open Areas:** Always fly in locations that are free and clear of buildings, trees, power lines, and other obstacles. Do not fly above or near people or animals.
2. **Maintain Control at All Times:** Even when using DJI autopilot functions such as Auto-Takeoff, Auto-Landing, and Auto-Return to Home, always keep your hands on the Remote Controller and maintain control of your aircraft when it is in flight.
3. **Maintain Line of Sight:** Keep your aircraft in sight at all times, and avoid flying behind buildings or other obstacles that may block your view.
4. **Monitor Your Altitude:** For the safety of full-sized aircraft and other air traffic, always fly at altitudes less than 400 feet (120 meters) above ground level, or in line with your local laws and regulations.

Visit <http://flysafe.dji.com/no-fly> for more information on critical safety features such as No-Fly Zones.



## ● Calibrating the Compass:

Only calibrate the compass when the DJI GO app or the status indicator prompt you to do so. Observe the following rules when calibrating your compass:

1. DO NOT calibrate your compass where there is a chance of strong magnetic interference, such as magnetite, parking structures, and steel reinforcements underground.
2. DO NOT carry ferromagnetic materials with you during calibration such as cellular phones.
3. The DJI GO app will prompt you to resolve the compass issue if the compass is affected by strong interference after calibration is complete. Follow the prompted instructions to resolve the compass issue.

## ● Environmental Considerations:

1. Do not fly in severe weather conditions. This includes high winds (speeds of 22 mph or 10 m/s or more), snow, rain, and fog.
2. Only fly in open areas. Tall buildings and steel structures may affect the accuracy of the on-board compass and GPS signal.
3. Avoid obstacles, crowds, high-voltage power lines, trees, and bodies of water.
4. Minimize electromagnetic interference by avoiding areas with high levels of electromagnetism, including mobile phone base stations, radio transmission towers, or Wi-Fi hotspots.
5. Aircraft and battery performance are subject to environmental factors such as air density and temperature. Be very careful when flying 19,600 feet (6 km) or more above sea level, as battery and aircraft performance may not be at peak efficiency.
6. The Phantom 3 Professional cannot operate in P Mode or use GPS at polar latitudes. Only ATTI Mode and the Vision Positioning system will be operational.

## ● P Mode:

In this mode, the Phantom 3 Professional can use GPS and the Vision Positioning system, allowing it to hover accurately in position indoors and out. When GPS is available, a Home Point will be locked so that the Phantom 3 Professional can Return to Home if the Remote Controller signal is lost.



To enable P Mode, toggle the Flight Mode Switch to the P position.

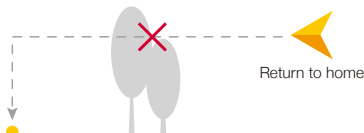
There are three states in P mode:

**P-GPS:** GPS works best when outdoors and in a wide open area. Your Phantom 3 Professional uses GPS to hover in place when there is a strong GPS signal.

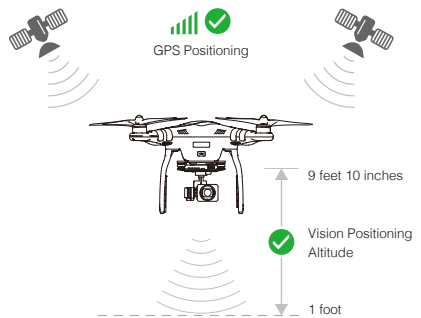
**P-OPTI:** If GPS is not available, the aircraft can use the Vision Positioning system to hover accurately.

**P-ATTI:** Neither GPS nor the Vision Positioning system are available. The aircraft will only use its barometer for altitude and other on-board sensors for attitude stabilization.

Note that the Vision Positioning system may not work properly when the Phantom 3 Professional is flying over water, over surfaces without a clear pattern, or in a low-light environment.



- While returning to the Home Point, the aircraft's altitude can be adjusted to avoid obstacles. Tall buildings may affect the Remote Controller's signal. The Failsafe Return to Home procedure will be triggered if the signal is lost. Be sure to fly higher than any nearby buildings to avoid crashing.



## ● Return to Home:

When there is a strong GPS signal, the aircraft will be able to record a Home Point and return to that Home Point when required. The Home Point location is recorded when the GPS signal icon in the DJI GO app is either yellow or green.

The aircraft will return to the Home Point automatically in the following scenarios (all require a strong GPS signal):

**Smart RTH:** When the RTH button on the Remote Controller or in the DJI GO app is pressed.

**Low-Battery RTH:** A notification will appear in the DJI GO app requesting the pilot to take action when the battery level falls under a certain level.

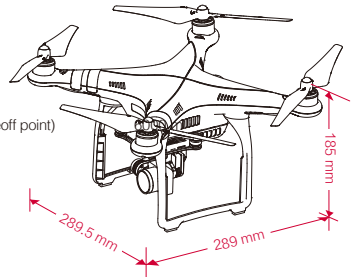
**Failsafe RTH:** When the Remote Controller's signal is lost.



# Appendix

## • Aircraft

Weight (Including Battery)	1280 g
Max Ascent Speed	5 m/s
Max Descent Speed	3 m/s
Max Speed	16 m/s (ATTI mode, no wind)
Max Service Ceiling Above Sea Level	19685 feet (6000 m) (Software altitude limit: 400 feet above takeoff point)
Max Flight Time	Approximately 23 minutes
Operating Temperature Range	0°C to 40°C
GPS	GPS/GLONASS



## • Gimbal

Controllable Range	Pitch: -90° to +30°
--------------------	---------------------

## • Vision Positioning

Velocity Range	<8 m/s (Altitude 2 m)
Altitude Range	30 cm-300 cm
Operating Range	30 cm-300 cm
Operating Environment	Surface with clear pattern and adequate lighting (Lux > 15)

## • Camera

Sensor	Sony EXMOR 1/2.3" Effective pixels:12.4 M (total pixels: 12.76 M)
Lens	FOV (Field Of View) 94° 20 mm (35 mm format equivalent) f/2.8
ISO Range	100-3200 (video) 100-1600 (photo)
Electronic Shutter Speed	8 s-1/8000 s
Image Max Size	4000x3000
Still Photography Modes	Single shot Burst shooting: 3/5/7 frames Auto Exposure Bracketing (AEB): 3/5 bracketed frames at 0.7EV Bias Time-lapse
Video Recording Modes	UHD: 4K (4096x2160) 24/25p, 4K (3840x2160) 24/25/30p FHD: 1920x1080 24/25/30/48/50/60p HD: 1280x720 24/25/30/48/50/60p 60 Mbps
Max Bitrate of Video Storage	FAT32 (≤ 32 GB); exFAT (> 32 GB)
Supported File Systems	JPEG, DNG (RAW)
Photo	MP4/MOV (MPEG-4 AVC/H.264)
Video	Micro SD, Max capacity: 64GB. Class 10 or UHS-1 rating required
Supported SD Card Types	0°C to 40°C
Operating Temperature Range	

## • Remote Controller

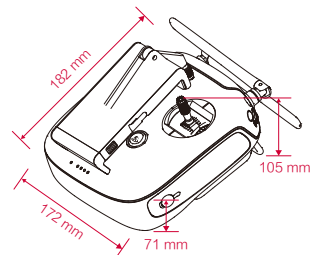
Operating Frequency	2.400 GHz-2.483 GHz
Max Transmission Distance	FCC Compliant: 16,400 feet (5 km); CE Compliant: 11,483 feet (3.5 km) (unobstructed, free of interference)
Video Output Port	USB
Operating Temperature Range	0°C to 40°C
Battery	6000 mAh LiPo 2S
Mobile Device Holder	Tablets and smartphones
Transmitter Power (EIRP)	FCC: 20 dbm; CE:16 dbm
Working Voltage	1.2 A @7.4 V

## • Charger

Voltage	17.4 V
Rated Power	100 W

## • Intelligent Flight Battery ( PH3-4480 mAh-15.2 V )

Capacity	4480 mAh
Voltage	15.2 V
Battery Type	LiPo 4S
Energy	68 Wh
Net Weight	365 g
Operating Temperature	-10°C to 40°C
Max Charging Power	100 W



CE 1313 RoHS

FCC ID: S33-WM3231503 FCC ID: S33-GL3001501

This device complies with part 15 of the FCC Rules.

Operation is subject to the following two conditions:

- (1) This device may not cause harmful interference, and
- (2) This device must accept any interference received, including interference that may cause undesired operation.

# Preparing Your Phantom 3 Professional Before Flying

Read the User Manual and watch the video tutorials in the DJI GO app or on the official DJI website ([www.dji.com](http://www.dji.com)), and read the following documents included in the box before using your Phantom 3 Professional for the first time: *Phantom 3 Professional Quick Start Guide*, *Phantom 3 Safety Guidelines and Disclaimer*, *Phantom 3 Intelligent Flight Battery Safety Guidelines*, *In the Box*.

## 1. Download the DJI GO App

Search 'DJI GO' on the App Store or Google Play and download the DJI GO app to your mobile device.




DJI GO app

## 2. Watch the Tutorial Videos

Watch the tutorial videos on [www.dji.com](http://www.dji.com) or in the DJI GO app.



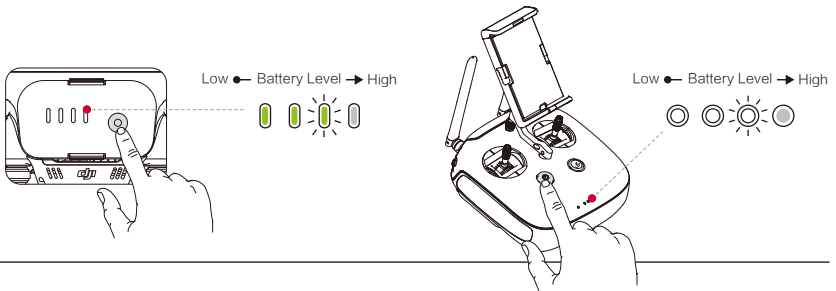
Phantom 3 tutorial videos

 • For the best experience, use a mobile device that runs iOS 8.0 or above or Android 4.1.2 or above.

## 3. Check Battery Levels

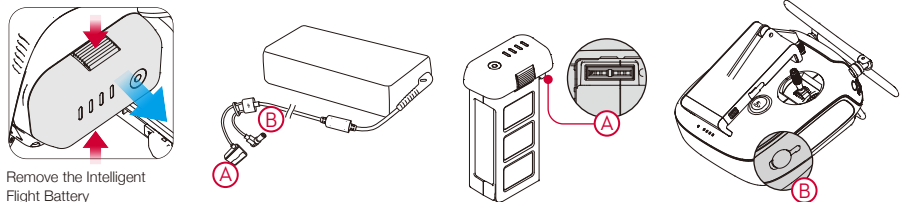
Pressing the Power Button once on either your Intelligent Flight Battery or Remote Controller displays the battery level.

**Be sure to fully charge both batteries before your first flight.**



## 4. Charging the Batteries

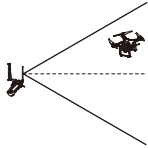
- Only use the official DJI Phantom 3 Professional charger. Remove the Intelligent Flight Battery from the aircraft before charging.
- It is recommended that you turn off the Intelligent Flight Battery or Remote Controller before charging.
- Connect the charger to a suitable power source (100-240V 50/60Hz).
- Connect the charger to the Intelligent Flight Battery or Remote Controller. The LEDs will display the current charge level, and when fully charged, they will automatically turn off.



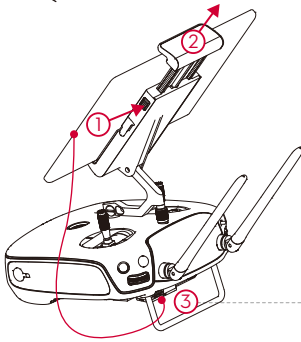
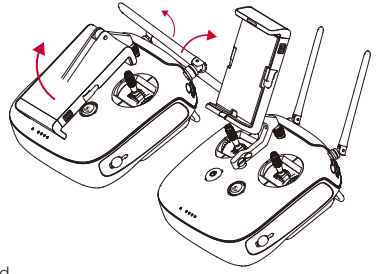
Remove the Intelligent Flight Battery

## 5. Preparing the Remote Controller

Tilt the Mobile Device Holder to the desired position, and then adjust the antennas as shown. The strength of the Remote Controller's signal will fluctuate depending on the positions of the antennas.




The transmission signal between the aircraft and Remote Controller will be strongest within the range illustrated here. If the signal is weak, adjust the positions of the antennas and fly the aircraft closer to achieve optimal signal performance.



- ① Press the button on the side of the Mobile Device Holder to release the clamp.
- ② Place your mobile device into the clamp and adjust it so that the mobile device is held securely in place.
- ③ Connect your mobile device to the Remote Controller with a USB cable. Plug one end of the cable into your mobile device, and the other end into the USB port on the back of the Remote Controller.

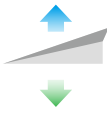
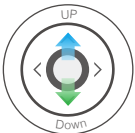


 • To avoid signal interference, do not use other 2.4GHz devices when flying.

## 6. Flight Controls

Here are the default flight controls (Mode 2). The left stick controls altitude and rotation, while the right stick controls the forward, backward, left or right movements. The gimbal dial controls the camera's tilt.

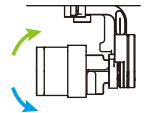
Left Stick



Right Stick



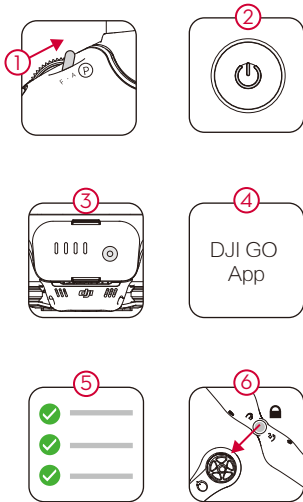
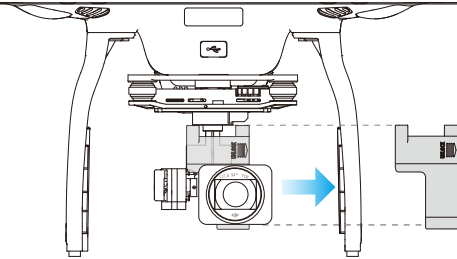
Gimbal Dial



 • You can customize or change these controls through the DJI GO app.

## 7. Getting Ready for Takeoff

Remove the gimbal clamp as shown on the right. Place your Phantom 3 Professional on a flat surface, in an open space, with the nose facing away from you. Then follow the steps below in this order:



- ① Toggle the Flight Mode Switch on your Remote Controller to the right (P Mode). P Mode is Positioning Mode, A Mode is ATTI Mode, and F Mode is Function Mode.
- ② Turn on the Remote Controller by pressing the power button once, releasing it, and then pressing and holding for 2 seconds.
- ③ Insert the Intelligent Flight Battery into your Phantom 3 Professional. Turn on the battery by pressing the power button once, releasing it, and then pressing and holding for 2 seconds.
- ④ Connect your mobile device to the Remote Controller with a USB cable and launch the DJI GO app. Follow the instructions within the app.
- ⑤ In the app, tap 'Camera'. Ensure your Phantom 3 Professional is ready to fly by completing the on-screen Checklist. Beginner Mode is enabled by default when you launch the DJI GO app for the first time. The aircraft's altitude and flight distance are restricted when flying in Beginner Mode. You can disable Beginner Mode in the Settings Page of the DJI GO app.
- ⑥ Attach the propellers with a black nut onto the motors with black dot and spin them counter-clockwise to secure. Attach the propellers with a grey nut onto the motors without black dot and spin them clockwise to secure.



- Tighten the propellers with both hands before each flight.
- If you wish to record photos or videos, insert a Micro SD card into the Camera's Micro SD Card Slot.
- The Flight Mode Switch is locked in P Mode by default. Refer to the User Manual to learn how to unlock the switch and change to other modes.
- When not in P mode, the Phantom 3 Professional will only maintain altitude, not position, and will drift with wind or user input. Return to Home is not available in F mode.

## 8. Flight

### Safe to Fly (GPS)

Before taking off, make sure the Aircraft Status Bar in the DJI GO app indicates 'Safe to Fly (GPS)' or 'Safe to fly (non-GPS)' if flying indoors.

#### • Auto Takeoff and Landing:

Your Phantom 3 Professional can automatically takeoff and land at the tap of a button in the Camera screen of the DJI GO app.



Tap and slide to confirm automatic takeoff. The aircraft will automatically takeoff and hover at 4 feet (1.2 meters).

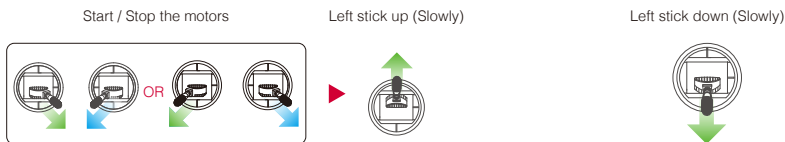


Tap and slide to confirm automatic landing. The aircraft will automatically land.

## ● Manual Takeoff and Landing (Stick configurations are for MODE 2):

Start the motors by pulling both control sticks to the bottom inside (or outside) corners. Release the sticks once the motors start. Slowly push the left stick (throttle stick) up to takeoff.

To land, gently pull the left stick (throttle stick) down to lower the aircraft until it touches the ground. Then pull both sticks to the bottom inside corners to stop the motors.



- ⚠️ • Never stop the motors mid-flight, otherwise the aircraft will crash. Only stop the motors when on the ground or as required in emergency situations to reduce the risk of damage or injury.
- You cannot takeoff if the Intelligent Flight Battery is not sufficiently charged and the Critical Low Battery Warning is active.
- The Intelligent Flight Battery must warm up if the outside temperature is low. A warning will appear in the DJI GO app in this scenario.
- Once spinning, the rotating propellers can be dangerous. Do not start the motors when there are people nearby and always fly in a wide-open area.
- Power off your Phantom 3 Professional before switching off the Remote Controller after landing.

## ● Return to Home:

1. Press and hold the Return to Home Button on your Remote Controller until the LED surrounding the button starts blinking white and starts beeping. Your Phantom 3 Professional will return to the set Home Point. Press the button once to stop the procedure.



RTH Button



The app's RTH Button

2. The DJI GO app will warn you if your Phantom 3 Professional's battery level falls under a certain level. This warning threshold can be set in the app. The aircraft will land immediately if the battery power reaches a critical level and the Critical Low Battery Level Warning appears.
3. Failsafe: The Phantom 3 Professional will enter Return to Home Mode if the signal to the Remote Controller is lost.

- ⚠️ • While returning home, you can still control your Phantom 3 Professional's altitude to avoid any obstacles.

## Appendix

### Aircraft Status Indicators

- 🟢 Slowly: Safe to fly, GPS working
- 🟡 x2 Continuously: Vision Positioning system working, no GPS
- 🟡 Slowly: P-ATTI or ATTI Mode
- 🔴 Quickly: Not connected to the Remote Controller
- 🔴 Slowly: Low Battery Level Warning
- 🔴 Quickly: Critical Low Battery Level Warning
- 🔴 Solid: Critical error
- 🟡/🟢 Blinking Alternately: Compass calibration required

### Remote Controller Status LED

- 🟢 Remote Controller is functioning normally, but is not connected to the aircraft.
- 🟢 Remote Controller is functioning normally and is connected to the aircraft.
- 🔴 B-B-B... Aircraft Low Battery Level Warning or Remote Controller error.
- 🟢 B-B-... Remote Controller has been idle for 5 minutes.

### Camera Controls

- Adjust the camera parameters using the Camera Settings Dial on the Remote Controller or through the DJI GO app. Press the Shutter Button or Video Recording Button to capture photos or record videos.
- Adjust the gimbal's tilt using the Gimbal Dial.
- Download photos and videos from the Micro SD card to your mobile device through the DJI GO app. You can also use a SD-card reader to export files to your computer.



# PHANTOM 3

PROFESSIONAL